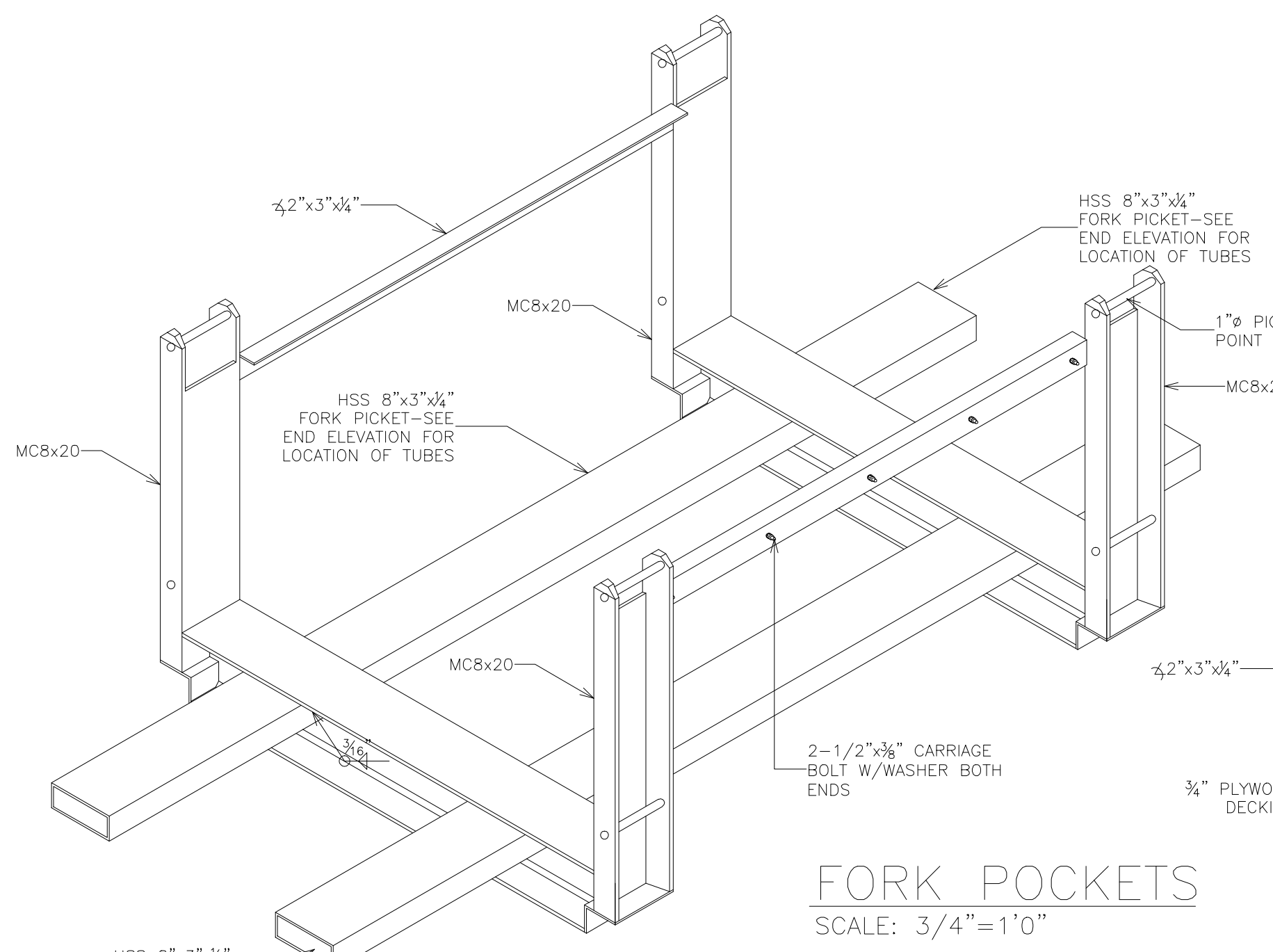
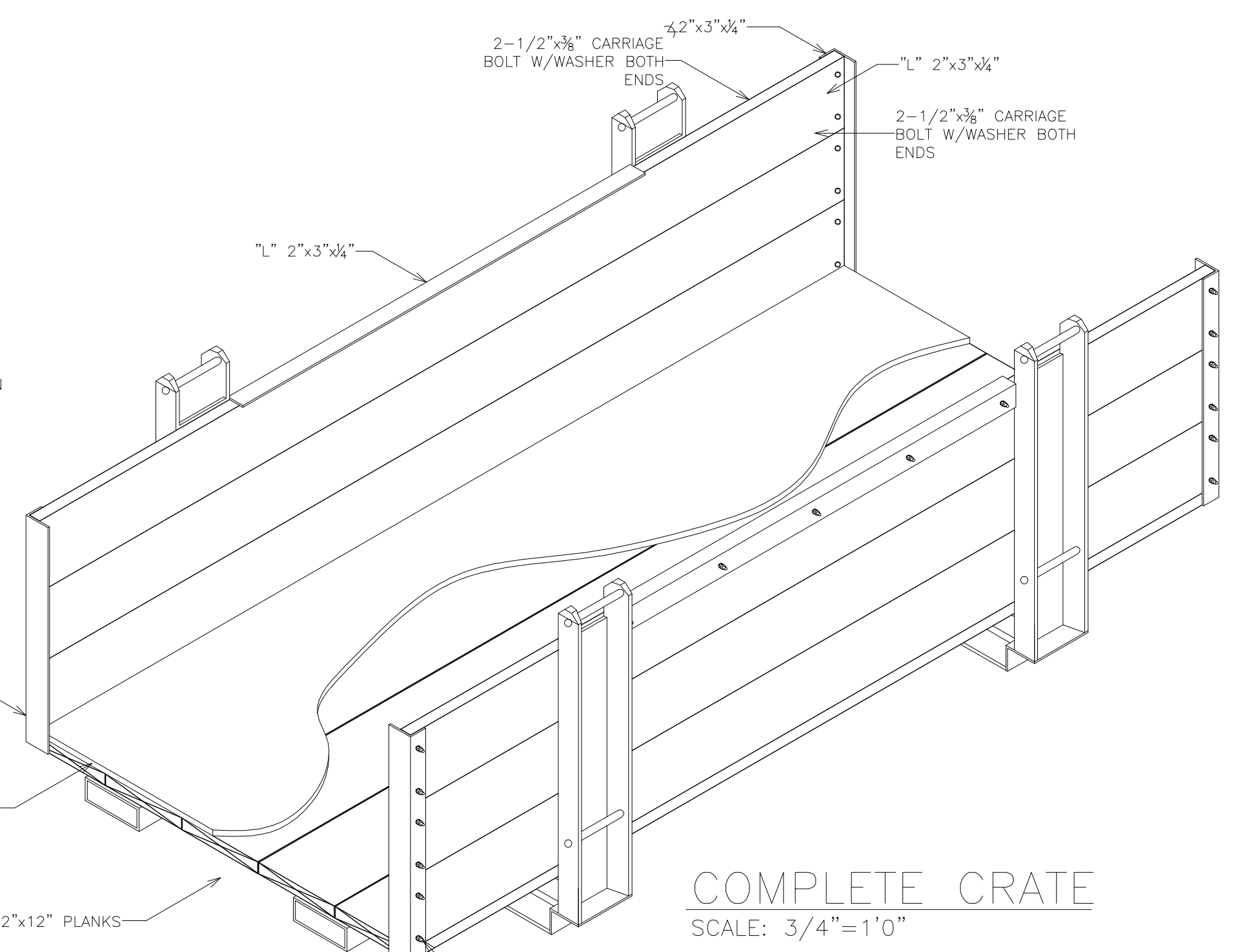


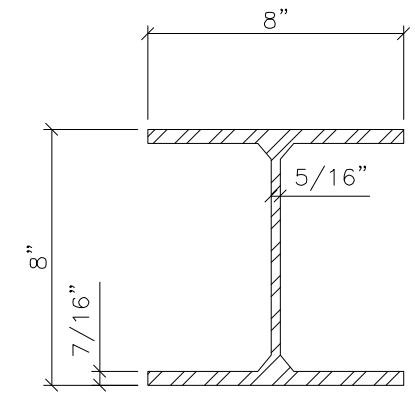
CRATE FRAME
SCALE: 3/4"=1'0"



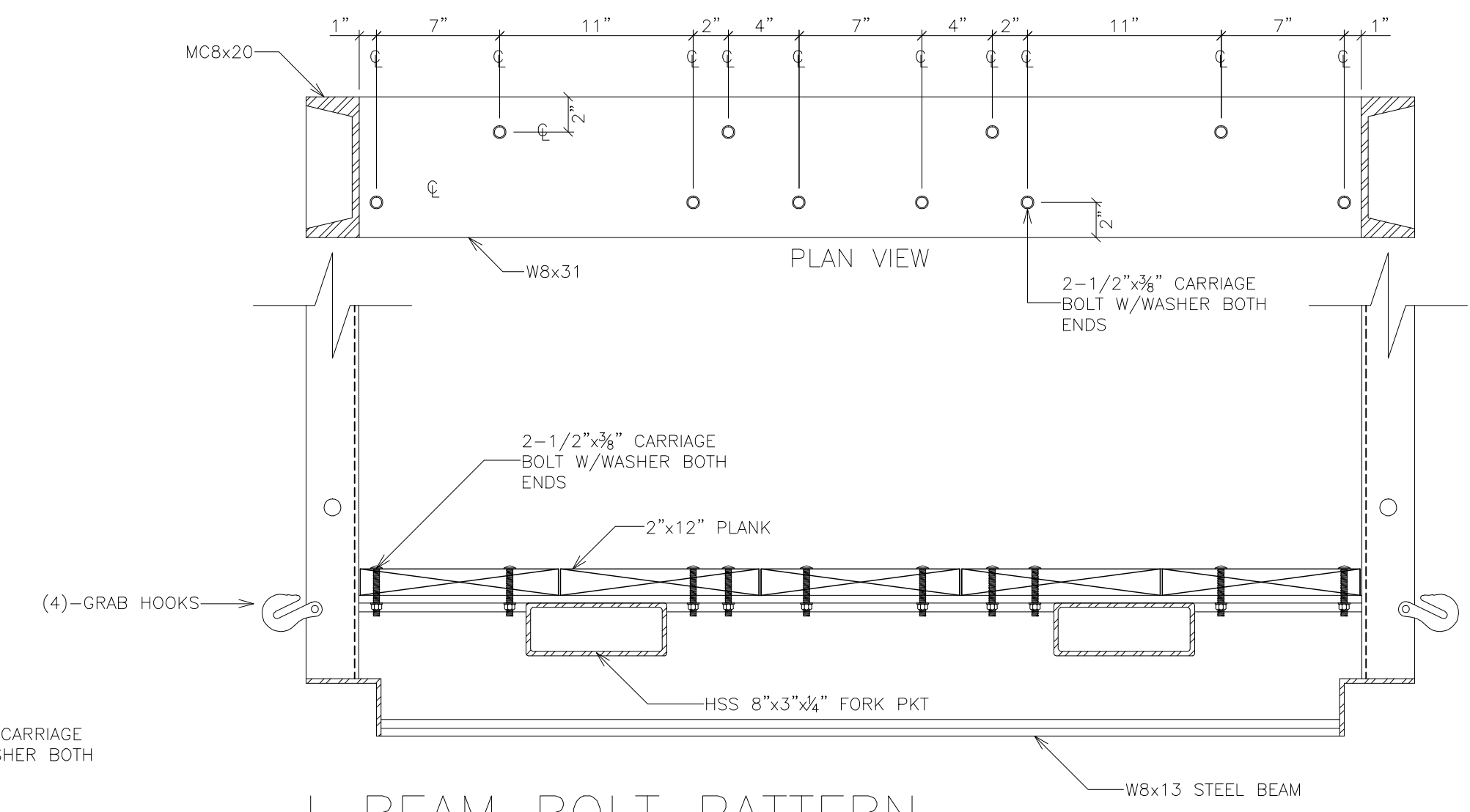
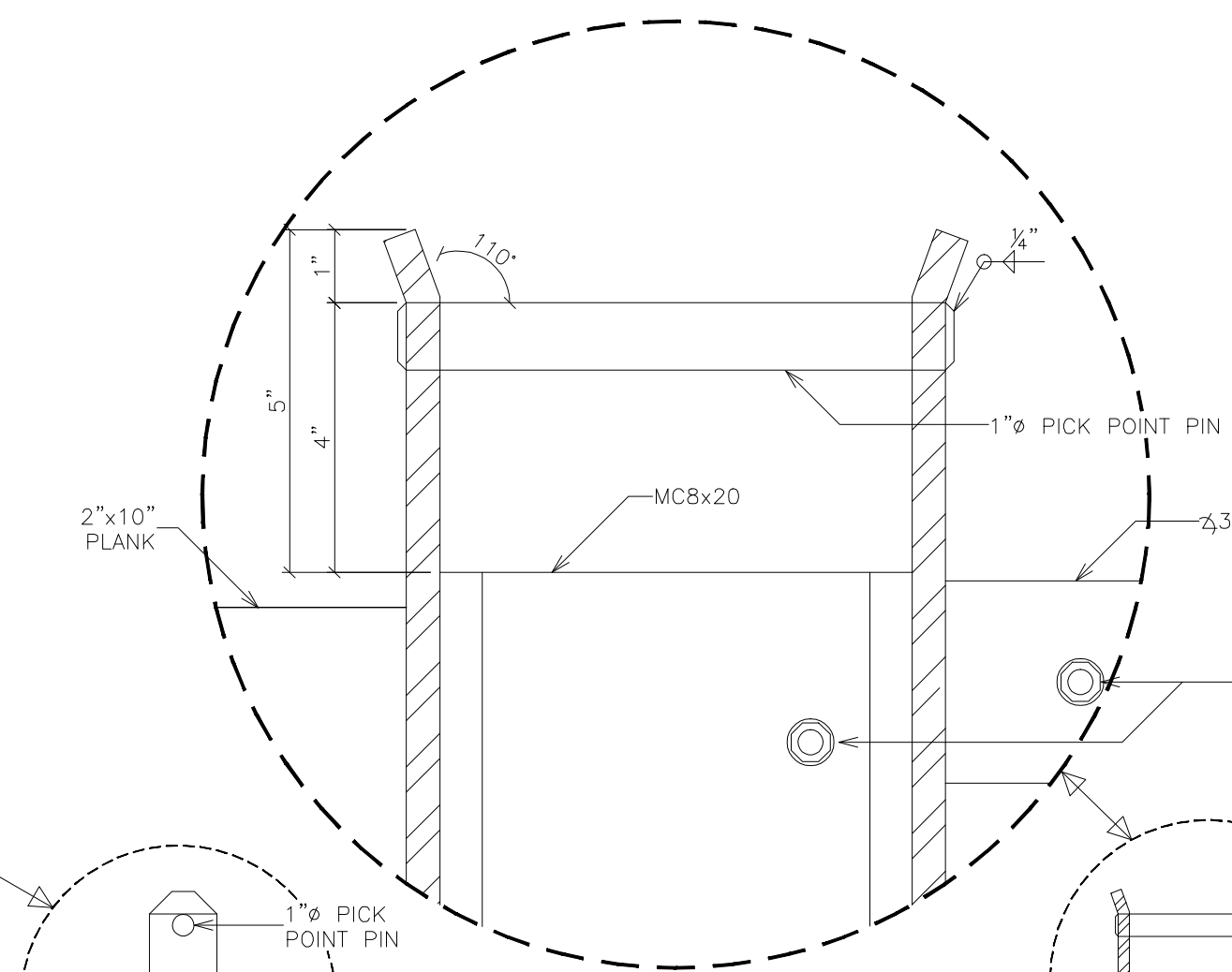
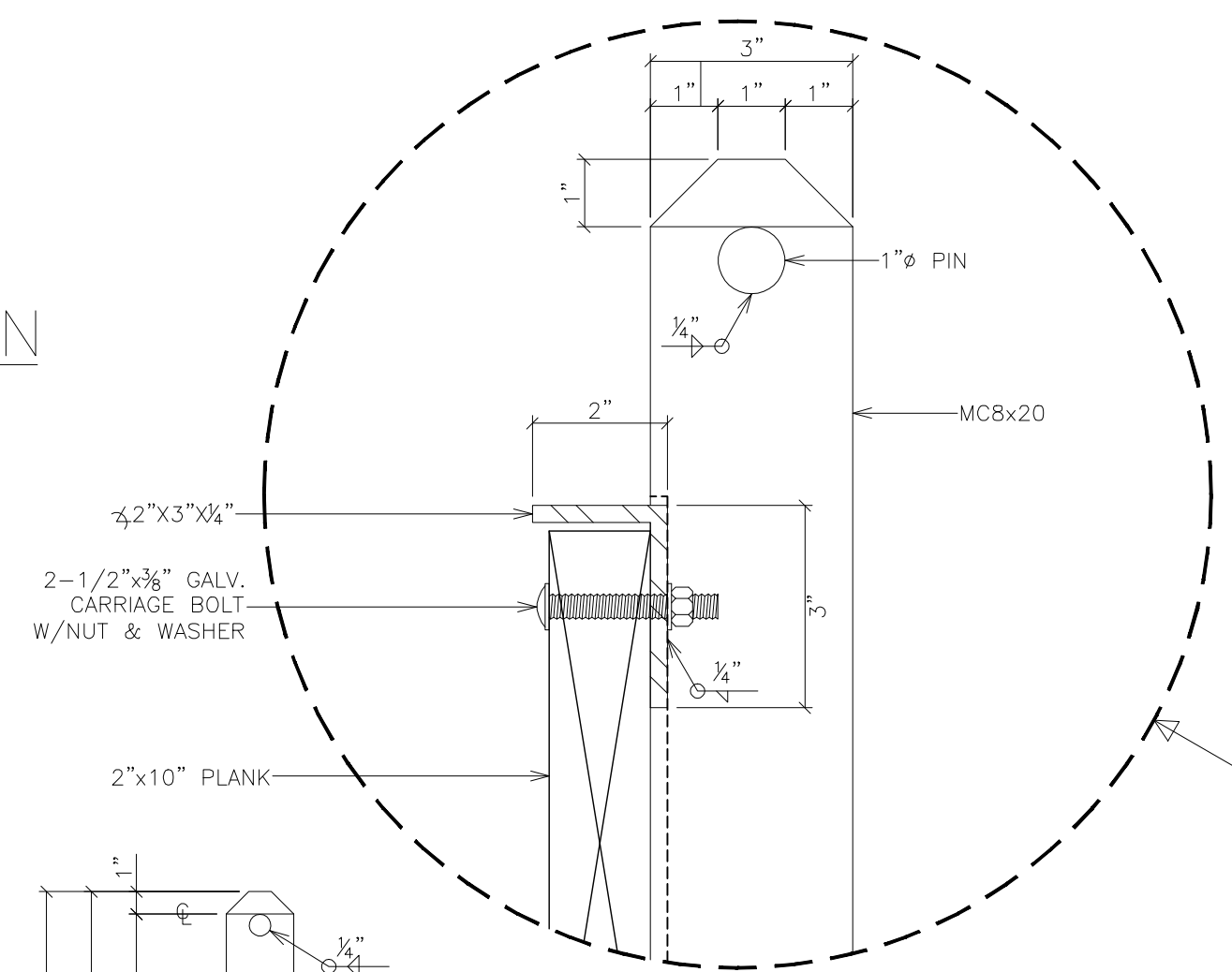
FORK POCKETS
SCALE: 3/4"=1'0"



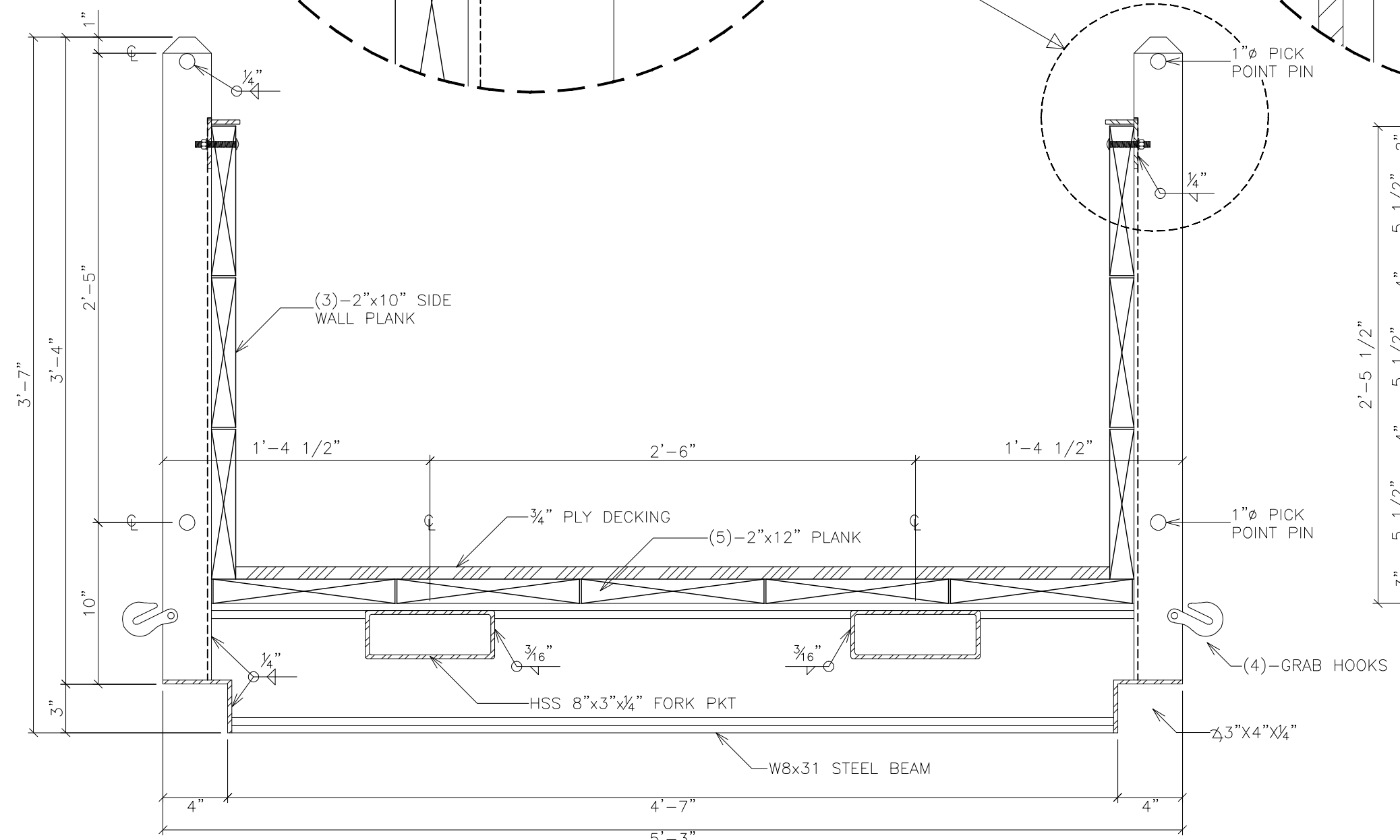
COMPLETE CRATE
SCALE: 3/4"=1'0"



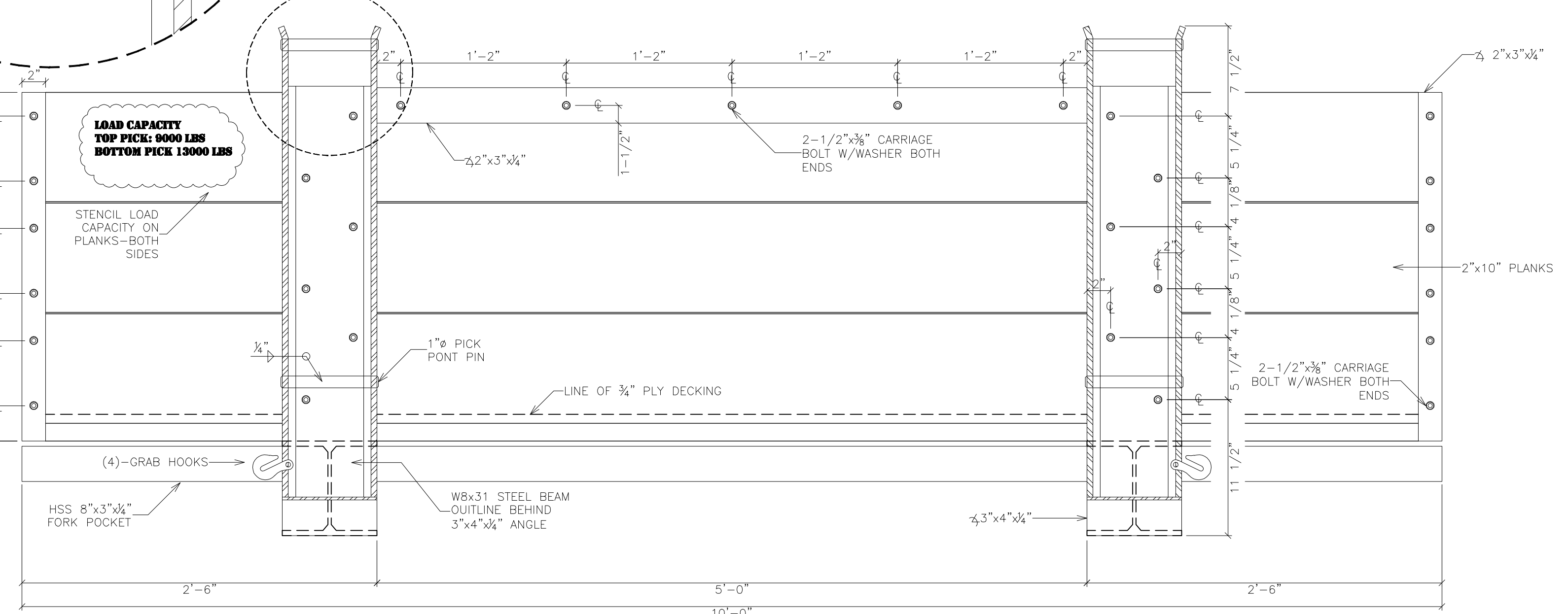
BEAM SECTION
SCALE: 2"=1'0"



I-BEAM BOLT PATTERN
SCALE: 1-1/2"=1'0"



END ELEVATION
SCALE: 1-1/2"=1'0"



SIDE ELEVATION
SCALE: 1-1/2"=1'0"

LOAD CAPACITY
TOP PICK: 9000 LBS
BOTTOM PICK 13000 LBS

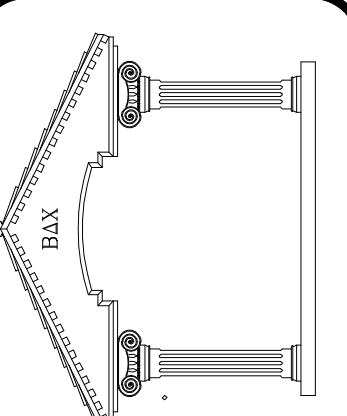
STENCIL LOAD
CAPACITY ON
PLANKS—BOTH
SIDES

CLIENT NAME
STEEL CRATE PLAN

NO.	REVISION	DATE

PROJECT NAME & ADDRESS:

FIRST FLOOR SQFT:	N/A
SECOND FLOOR SQFT:	N/A
TOTAL FLOOR SQFT:	N/A
TOTAL LIVING SQFT:	N/A
GARAGE SQFT:	N/A



BRANSON DESIGN CO.
12921 STEPHENSON ST.
ANCHORAGE, ALASKA 99515
PH: (907) 441-2212
FAX: (907) 644-6882

DRAWN BY:	MIKE BRANSON
DATE:	02/12/07
FILE NAME:	CRATE DWG
SCALE:	AS-NOTED
SHEET:	5.1